

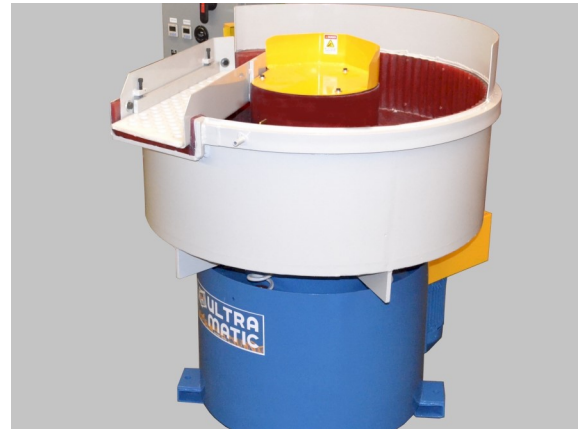


SVB SERIES

The **SVB Series** by Ultramatic Equipment is the ultimate in finishing parts in a batch process.

Choose from a variety of models all featuring a wide process channel for larger parts, heavy duty vibrator drive system for superior results ranging from fine finishing of precision CNC machined castings to heavy cut down and deburring.

The SVB Series is available in sizes ranging from 1.5 cubic ft. for fine finishing of jewelry castings to 60 cubic ft. for large machined aluminum aircraft components.



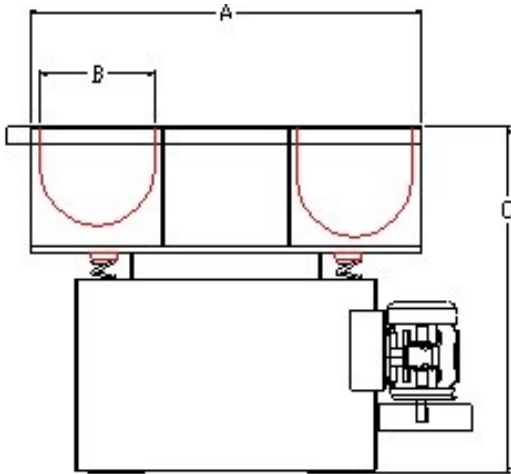
Features

- Curved wall cast urethane lined bowl
- Spherical roller bearing design in machined housings
- Electrical control panel with timer*
- Automatic Lubrication*
- Welded & stress relieved construction
- Compound System*
- Ribbed urethane sidewalls*
- Solution Spray Bar
- Semi Spiral Contour Bowl
- Adjustable amplitude
- Media unload door*
- Replaceable drain inserts
- TEFC 230/460 Motor

* May be option on some models refer to quotation.

Options

- AC Variable Frequency Drive
- Timer Unload Gate Clearing
- ST Filtration System
- Ceramic Media and Compound



- Large screen deck
- Auto unload with gate clear option

| MODEL | CU. FT. CAP. | MOTOR HP | A DIAMETER | B WIDTH | SHIP WEIGHT |
|---------|--------------|----------|------------|----------|-------------|
| SVB 1.5 | 1.5 | 2 | 29" | 8" | 675 |
| SVB 3.5 | 3.3 | 1.5 | 33 1/2 " | 11 " | 850 # |
| SVB 5 | 4.5 | 2 | 43 " | 12 1/2 " | 1500 # |
| SVB 7 | 6.5 | 3 | 44 " | 12 1/2 " | 1850 # |
| SVB 10 | 9 | 5 | 51 " | 15 " | 3500 # |
| SVB 15 | 14 | 7.5 | 61 " | 15 " | 4150 # |
| SVB 20 | 19 | 15 | 68 " | 17 " | 4750 # |
| SVB 25 | 25 | 15 | 72" | 18 1/2" | 5300 # |
| SVB 40 | 40 | 20 | 88 " | 20 " | 6800 # |

Specifications subject to change refer to quotation